



TECHNICAL SPECIFICATION

INNOVATION IN SLUICE ROOM EFFICIENCY

Vortex incorporates pioneering design and has been manufactured for maximum efficiency by Vernacare the global leaders in medical pulping technology.



Hands Free Opening

Preventing the risk of cross contamination in the sluice room, and reducing ward staff time.



Energy Efficient

The motor and intermittently operated pump ensure economic use of power; requiring only cold water the Vortex quickly and hygienically disposes of 4 pulp products every two minutes.

Hygienic

The lid seal has been proven to effectively contain aerosols, eliminating risk of micro-organisms being released into the air. The Vortex has a moulded surface casing designed to enable efficient cleaning. It will also withstand disinfectants and detergents.

Avoids Drain Blockage

The combination of the sealed, water filled hopper and its unique, innovative twin blade design provides complete maceration to a fine watery slurry which will flow freely through drains.

Automatic anti-bacterial cleaning process

The anti bacterial deodoriser works against bacteria in the hopper, while the light fragrance improves the maceration experience offering reassurance and piece of mind for the user.

To order the Vernacare macerator deodoriser contact Vernacare on 01204 529494 order code 203MD005.

Durable

The powerful 1kw three phase motor for single / three phase locations and square section frame provide inner strength and durability to withstand transportation providing an average life of 10 years. The Vortex macerator is manufactured to ISO EN 9001:2000 standards and is tested to ensure compliance with CE and BS requirements.

Technical Support

Vernatech Engineers provide engineering support, that together with a comprehensive Technical Manual and the availability of cost effective service agreements provides additional peace of mind.



The unique action of the Vortex's twin blade ensures complete maceration of the effluent avoiding costly drain blockages.

Vernatech
A VERNAGROUP COMPANY

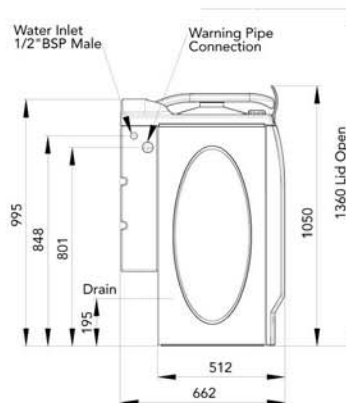
FRONT VIEW

Dimensions in mm

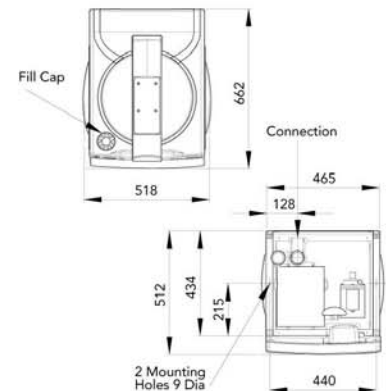


Water inlet and warning pipe connections can be made to either the left or right side of the machine

SIDE VIEW



PLAN VIEW



Operational Information

With a capacity of four urine bottles or two washbowls, or any equivalent load, the unit weighs 72kg dry and 102kg with a full water tank.

Sound-deadening measures incorporated into the design allow use during the night.

Siting and Installation

Position machine adjacent to a suitable power supply (230 Volt * 6 Amp MCB to BS EN60898 or fuse 6 Amp to I.E.C 60269-4 with appropriate 10 Amp isolator); an adequate water supply line; and a suitable drainage connection.

Ensure that the floor area is firm and level and fix the unit in position, by bolting down using the holes provided.

Also a disconnecting device according to IEC61010 must be fitted to the final installation.

Plumbing

Connect water supply via a 15mm (minimum) rigid or flexible pipe feed to the machine water tank at upper left or right hand side of machine which has a standard connection to a 1/2" BSP float type cistern valve. Flow rate should be 18 litres per minute minimum into water tank, which holds ample water for a complete cycle (approximately 24 litres overall during the 2 minute cycle). NB The macerator is supplied with both high and low pressure orifices for selection on site.

Plumbing - Points to watch

1. Ensure the supply line to the unit is at no point less than 15mm – larger if the available head is very low.
2. Ensure other fittings do not starve the supply.
3. Fit an easily accessible isolating valve close to the unit.

Drain Connection

The unit is fitted with a 50mm (2") 'P' trap. In order to connect to the drain, it is necessary to cut a minimal clearance hole in the plastic drain access cover located at the rear of the machine below the water tank. It is important to ensure that the drain access cover is fitted so as to prevent access to internal electrical components.

Connect to the drain by tightening the compression fitting on the 'P' trap onto the inserted copper or plastic drainpipe. A slow bend/elbow to connect to a right, left or downward run of pipe can be fitted in the free area below the water tank.

Drain Connection - Points to watch

1. Ensure shortest possible route to soil drain, with minimum number of bends.
2. If necessary, use long radius or 'swept' bends, never short, or 90° elbows.
3. Waste must be run separately to soil stack or drain.
4. Ensure that the fall is 1:25 minimum or sufficient to maintain a self-cleansing velocity.
5. Provide easy access for roding.
6. Ensure a clean run inside pipework – no burrs or reducing shoulders.
7. With plastic pipework ensure no reduction in bore size, adequate support for horizontal runs to prevent sagging, and remember ceiling voids can get very warm.
8. Avoid running drain line near or across hot water pipes.
9. Although the macerator does have a type 'AB' air gap, anti-syphoning precautions to be in line with general practice.

Overflow Connection

The Vortex is supplied with a 32mm (1 1/4") tank connector which may be fitted to either the right or left hand side of the water tank as required during installation.

Electrical

Single phase electrical system (230v, 1 Ph, 50 HZ) The machine is fitted with a 3 metre length of 1.5mm flex to BS6500 which shall be connected to: 230 Volt Machine – 6 Amp MCB to BS EN60898 Type C or fused 6 Amp to IEC 60269-4

N.B. The single phase macerator can be connected to a three phase and neutral electrical installation by using a single phase and neutral wire from the three phase distribution board.

Commissioning

The Vortex must be commissioned by a qualified Vernatech Engineer before use to ensure the validity of the warranty. Commissioning is carried out free of charge and can be arranged at time of order.

N.B. Without the specified plumbing, drainage and electrical services being used, a warranty may not be issued.

Vernatech
A VERBAGROUP COMPANY

EBOS
HEALTHCARE

Customer Service Telephone: 1800 269 534
Customer Service Facsimile: 1800 810 257
Website: www.eboshealthcare.com.au

WRAS
APPROVED
PRODUCT

CE



KM 23198
IEC 61010-1:2009